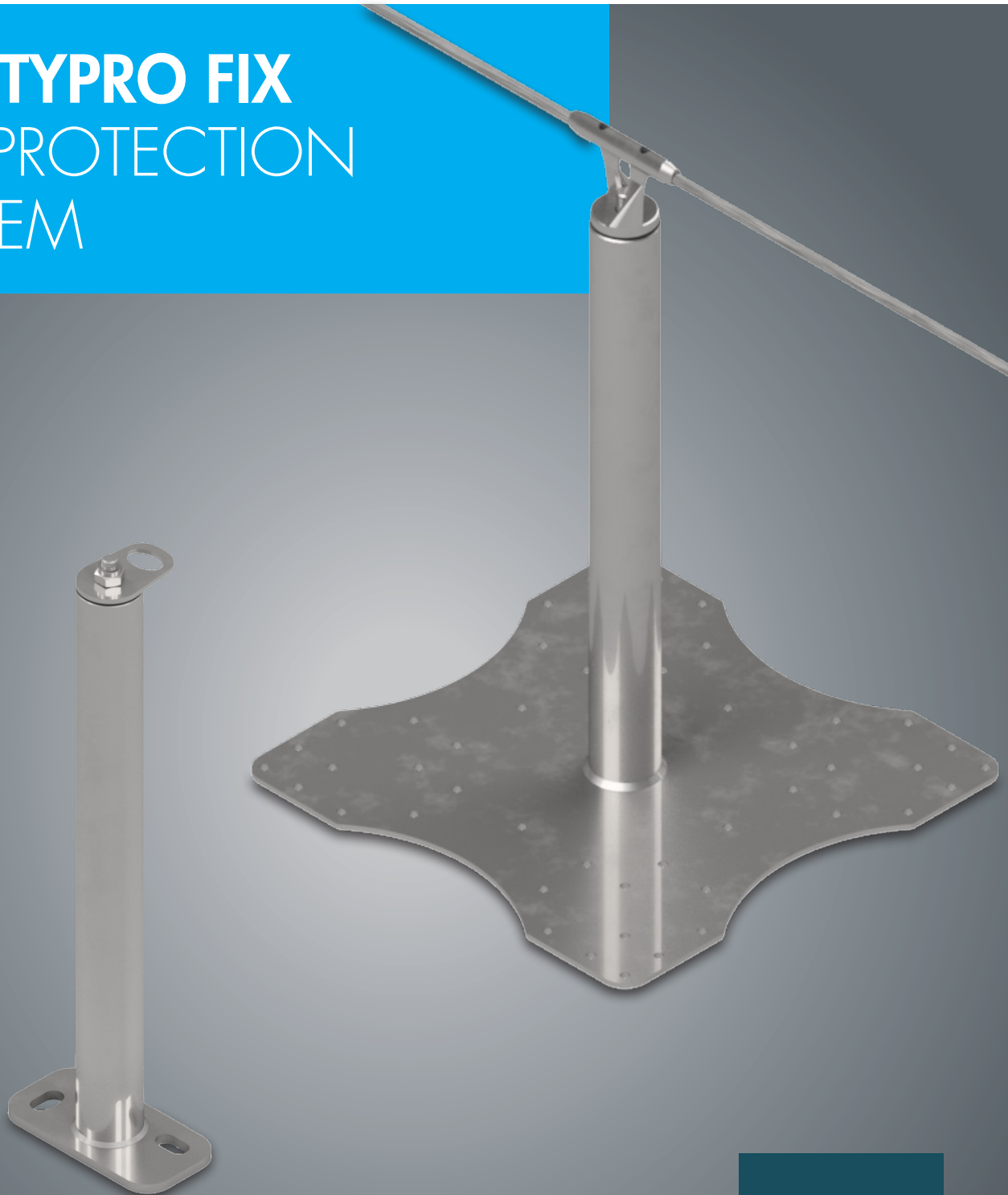


# SAFETYPRO FIX FALL PROTECTION SYSTEM



challenge.  
create.  
care.

# INTRODUCTION

## Product description

SafetyPro fix is a fall protection system for flat roofs with concrete, construction wood or trapezoidal sheet cover, up to 17% incline. 1+1 person can be secured, if installed as a line system providing free movement around the post and along the stainless steel wire cable without the need to reattach. Tested in accordance with European standards EN 795:2012 and CEN/TS 16415:2013.

## Legal requirements

Anyone working at heights needs to be secured against fall. This is the responsibility of the employer, and/or the owner of the premises. It is also the architect's responsibility, in designing the building, to meet the relevant regulations. SafetyPro complies with the latest EU standards.

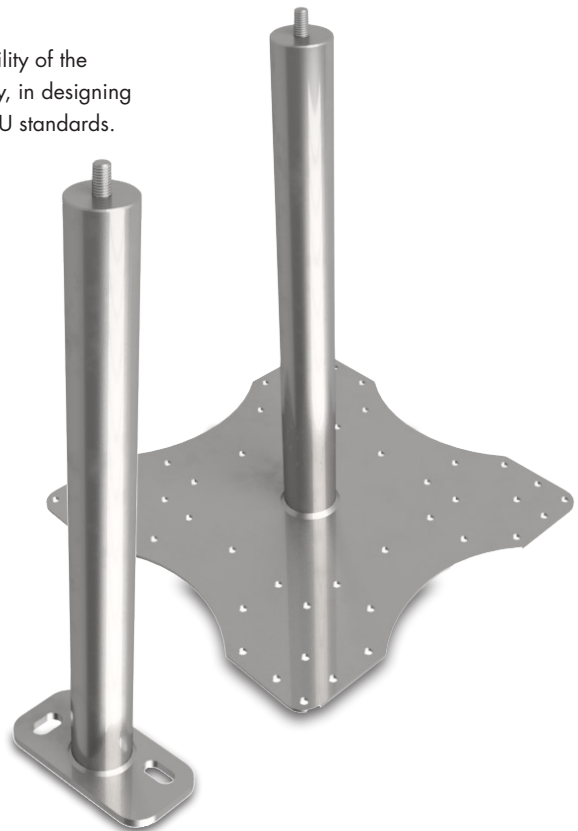
## Advantages

- Different anchor heights up to 80 cm for various thermal insulation thickness
- Due to its massive structure and the high quality corrosion resistant stainless steel post, SafetyPro fix is a longtime partner in safety
- Excellent thermal insulation performance, integrated thermo stop baseplate and mineral wool filling to reduce thermal bridge effect
- Installed as a horizontal lifeline system continuous free movement along the roof edge\*
- Installed as a single anchor device can be used with temporary horizontal lifeline cable
- Only two fixing screws for each anchor device\*\*
- Oval fixing holes for fine adjustment during installation\*\*
- Same anchor device for different roof construction materials (wood or trapezoidal sheet)\*\*\*
- Tested in accordance with European standards EN 795:2012 and CEN/TS 16415:2013

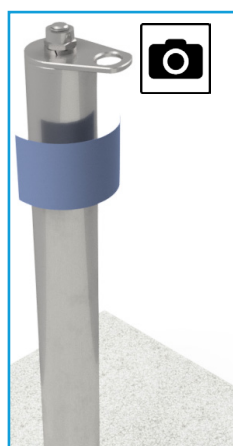
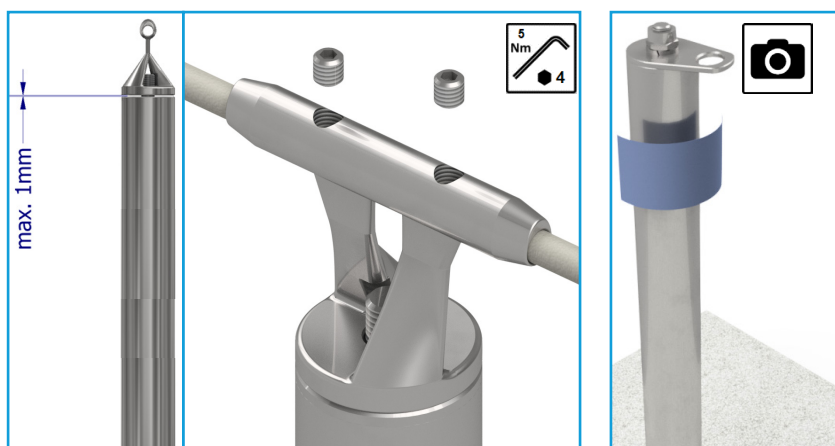
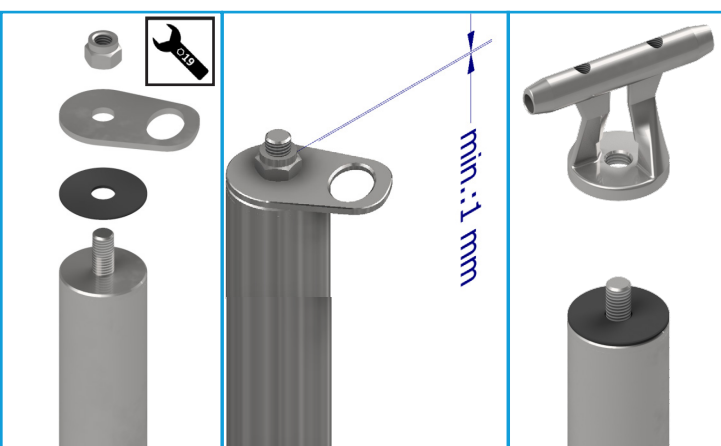
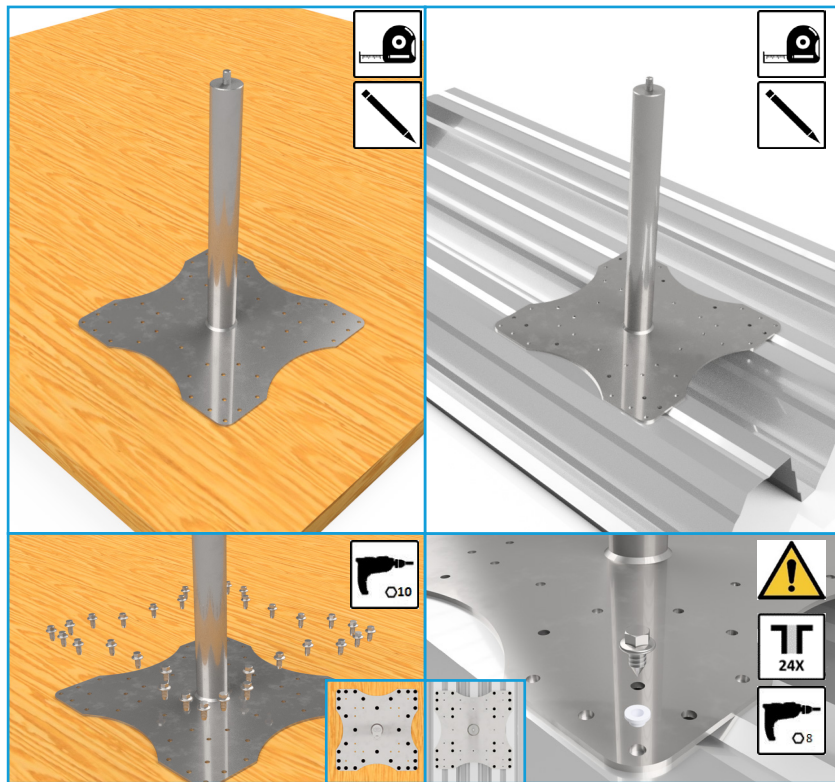
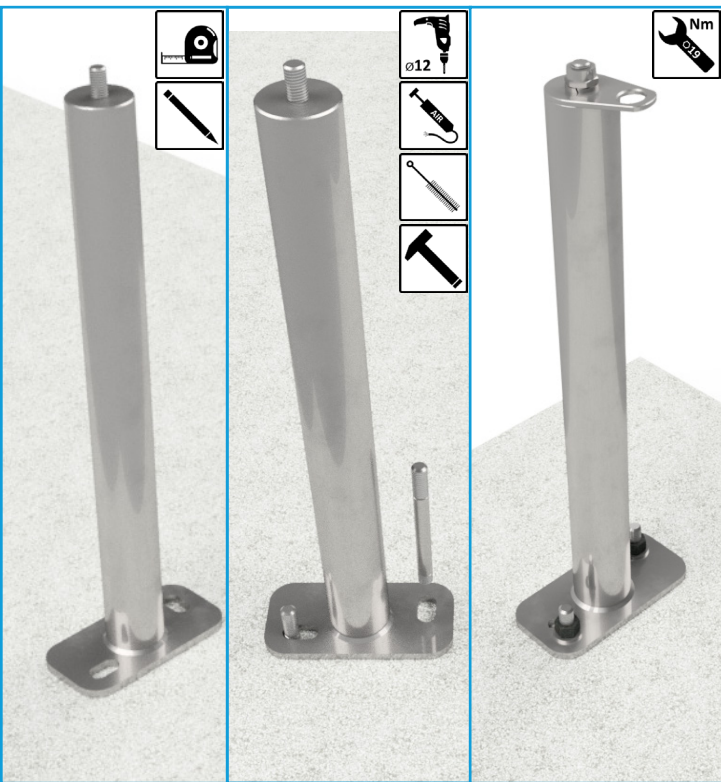
\*only horizontal lifeline setup

\*\*only SafetyPro fix-C

\*\*\*only SafetyPro fix-WT



# Installation of SafetyPro fix-C, fix-WT



## System documentation

The SafetyPro system documentation is the normative when installing the system.

[www.knaufinsulation-safetypro.com](http://www.knaufinsulation-safetypro.com)



# PLANNING AND SPECIFICATION



## Planning principles

The installation plan for the fall protection system is prepared by professionals, taking building characteristics and local conditions into consideration. Wherever possible, the plan should specify fall restraint systems to ensure that the user cannot move beyond the roof edge. Should building plans change during the design process or installation phase, professionals are recommended to approve the change. Among other key details, the plan must include:

- the exact placement of the system posts and components
- components to be installed
- the number of permitted users
- the permitted length of leash of the PPE

## Requirements for planning

1. Roof plan with all the height measurements of the different rooftop surfaces, including all levels (i.e. rooftops, terraces, ground floor, parapet wall, superstructures)
2. Elevations and section drawings indicating the height levels
3. Inclination of the roof
4. Placement of superstructures or elements on the roof that will be installed later
5. Layer build-up of the roofs
6. A dwg-formatted file of the drawings (which will speed up the planning process), or a pdf file, if a dwg is unavailable
7. Project details (country, address, project name, etc.)

## Specification

### SafetyPro fix-C (20-80)

SafetyPro fix-C stainless steel anchor point certified according to standards EN 795:2012 type "A/C" and CEN/TS 16415:2013, for 1+1 person, with stabilizing external tube and internal energy-absorption item, for mounting on concrete structure (C20/25 – C55/60); standard post height 50 cm, custom heights from 20 cm up to 80 cm; diameter of anchor post: 48,3 mm. Supplied ready to install according to the approved implementation plan, to the technical building regulations and to manufacturer's instructions, assembled and fixed to roof structure with the recommended fastening elements, and insulated with prefabricated insulating collar (D 50 mm). The roof structure must be checked by a structural engineer regarding the acting forces!

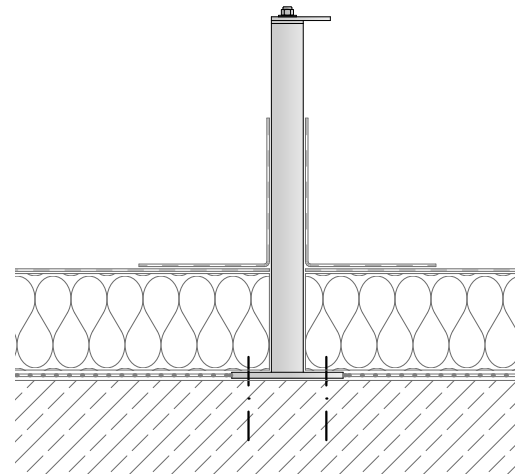
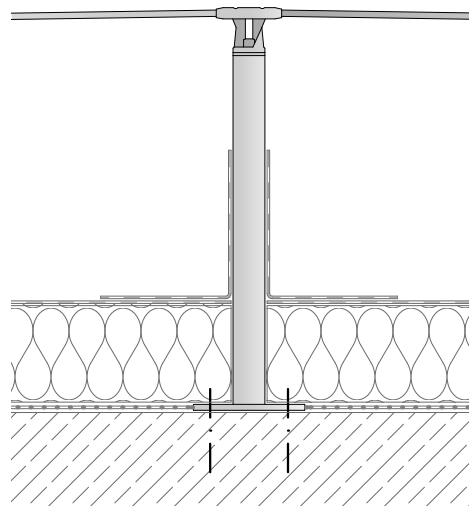
### SafetyPro fix-WT (20-80)

SafetyPro fix-WT stainless steel permanent anchor device for multipurpose use (for wooden or trapezoidal sheet structure) certified according to standards EN 795:2012 type "A/C" and CEN/TS 16415:2013, for 1+1 person, with stabilizing external tube and internal energy-absorption item, for mounting on wooden structure (min 22 mm OSB3, massive wood, plywood) or for mounting on trapezoidal sheet (min. 0,75 mm thickness; S280); ; standard post height 50 cm, custom heights from 20 cm up to 80 cm; diameter of anchor post: 50 mm. Supplied ready to install according to the approved implementation plan, to the technical building regulations and to manufacturer's instructions, assembled and fixed to roof structure with the recommended fastening elements, and insulated with prefabricated insulating collar (D 50 mm). The roof structure must be checked by a structural engineer regarding the acting forces!

# Build-up of SafetyPro fix 50C and 50WT

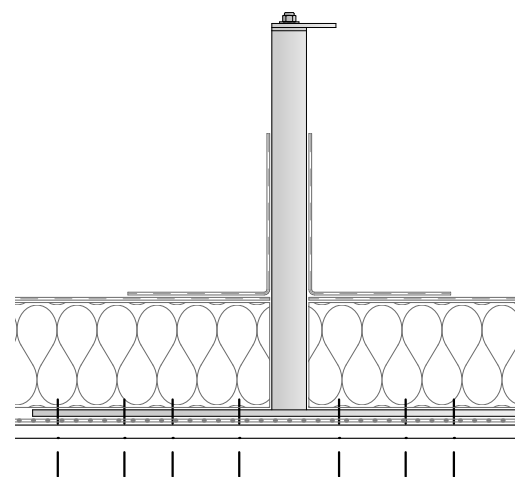
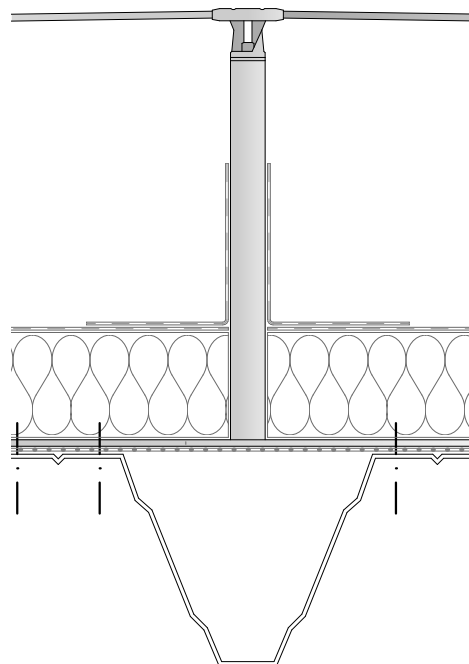
## SafetyPro fix-C (20-80)

Waterproofing membrane  
Insulating collar  
Insulation layer\*  
Vapour barrier\*\*  
Reinforced concrete slab



## SafetyPro fix-WT (20-80)

Waterproofing membrane  
Insulating collar  
Insulation layer\*  
Vapour barrier\*\*  
Trapezoidal sheet /  
construction wood



\*Knauf Insulation rock mineral wool products  
\*\*Knauf Insulation LDS foil

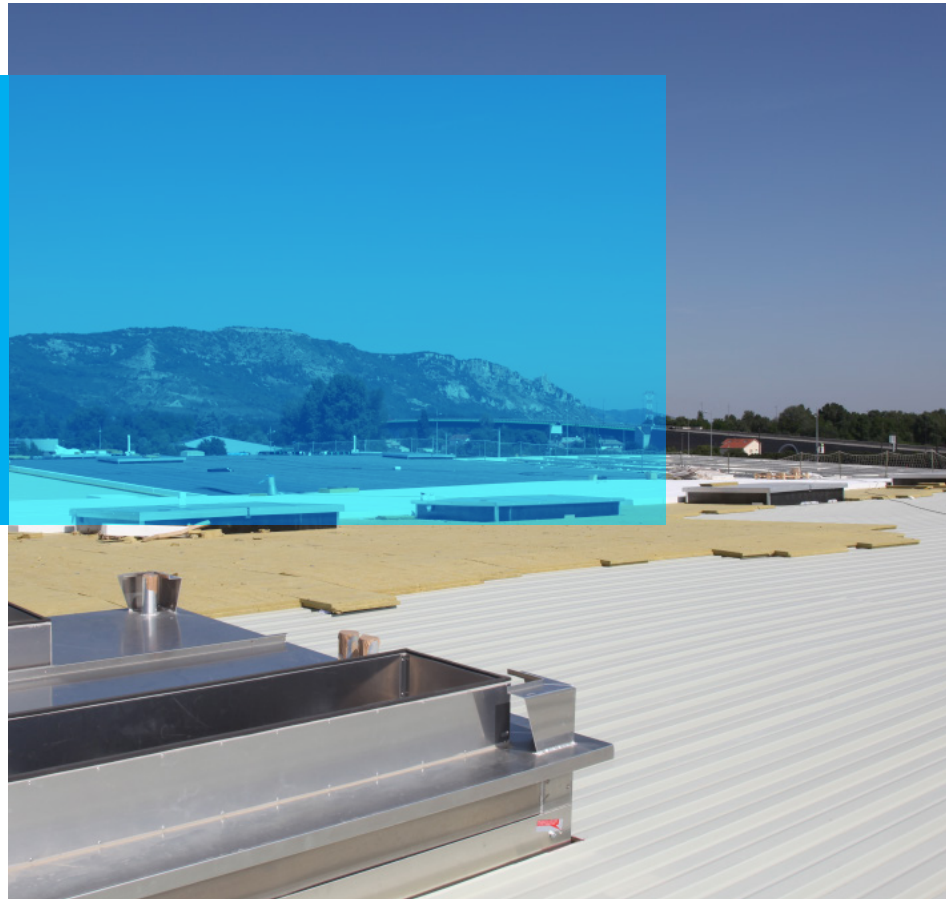
## KNAUF INSULATION, d.o.o.

Trata 32, 4220 Škofja Loka  
Slovenia

**Telefon:** +386 (0)4 5114 000

**E-mail:** [urbanscape@knaufinsulation.com](mailto:urbanscape@knaufinsulation.com)

**[www.urbanscape-architecture.com](http://www.urbanscape-architecture.com)**



## COMPANY PROFILE

Knauf Insulation is one of the most respected names in the insulation industry worldwide with 30 years of experience and is still growing fast, with over 5,000 employees in more than 35 countries and more than 40 manufacturing sites. Being part of the family-owned Knauf Group Knauf Insulation Technical Solutions provides solutions for customers' requirements in industry, marine applications, heating, ventilation and air conditioning. A profound market understanding and insulation know-how enable us to provide a broad range of products to meet your specific needs.

All rights reserved, including those of photomechanical reproduction and storage in electronic media. Extreme caution was observed when putting together and processing the information, texts and illustrations in this document. Nevertheless, errors cannot quite be ruled out. The publisher and editors cannot assume legal responsibility or any liability whatever for incorrect information and the consequences thereof. The publisher and editors will be grateful for improvement suggestions and details of possible errors pointed out.

challenge.  
create.  
care.